



SOUNDWELL®

<http://soundwell-cn.com>

EC08 Series ENCODER

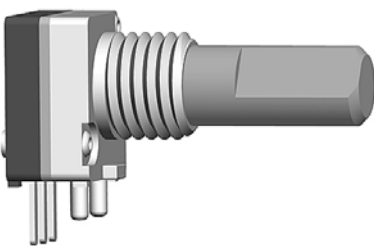
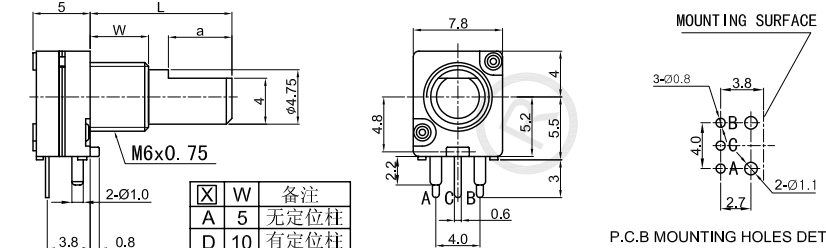
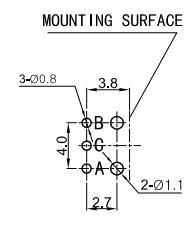
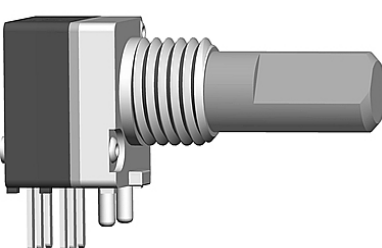
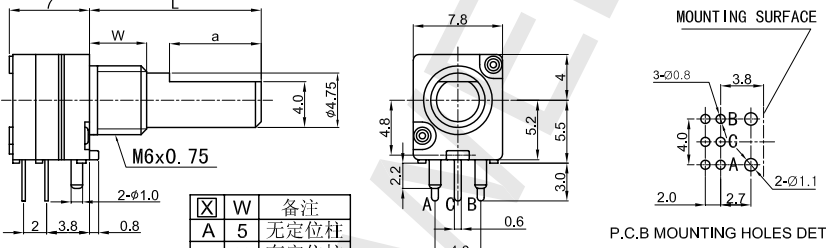
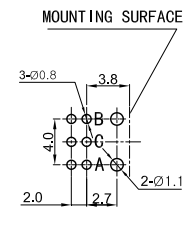
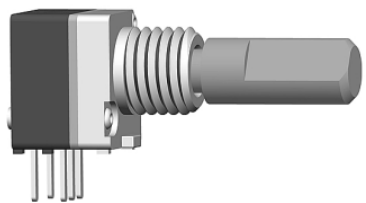
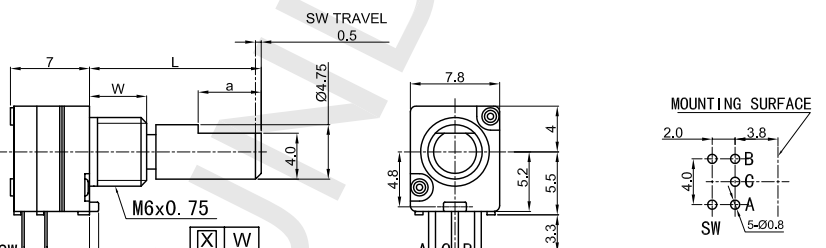
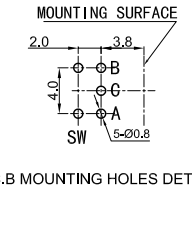


企业微信，扫码有惊喜



升威官网，发现更多产品

MODEL 品名	DIMENSIONS 尺寸	UNIT:mm
----------	---------------	---------

<p>EC080101 <input checked="" type="checkbox"/> 0X-VA1</p> 	 <table border="1" data-bbox="782 616 957 750"> <tr> <td><input checked="" type="checkbox"/></td> <td>W</td> <td>备注</td> </tr> <tr> <td>A</td> <td>5</td> <td>无定位柱</td> </tr> <tr> <td>D</td> <td>10</td> <td>有定位柱</td> </tr> <tr> <td>L</td> <td>15</td> <td>15</td> </tr> <tr> <td>a</td> <td>7</td> <td>9</td> </tr> </table>	<input checked="" type="checkbox"/>	W	备注	A	5	无定位柱	D	10	有定位柱	L	15	15	a	7	9	 <p>P.C.B MOUNTING HOLES DETAIL</p>
<input checked="" type="checkbox"/>	W	备注															
A	5	无定位柱															
D	10	有定位柱															
L	15	15															
a	7	9															
<p>EC080102 <input checked="" type="checkbox"/> 1X-VA1</p> 	 <table border="1" data-bbox="782 1075 957 1209"> <tr> <td><input checked="" type="checkbox"/></td> <td>W</td> <td>备注</td> </tr> <tr> <td>A</td> <td>5</td> <td>无定位柱</td> </tr> <tr> <td>D</td> <td>10</td> <td>有定位柱</td> </tr> <tr> <td>L</td> <td>15</td> <td>15</td> </tr> <tr> <td>a</td> <td>7</td> <td>9</td> </tr> </table>	<input checked="" type="checkbox"/>	W	备注	A	5	无定位柱	D	10	有定位柱	L	15	15	a	7	9	 <p>P.C.B MOUNTING HOLES DETAIL</p>
<input checked="" type="checkbox"/>	W	备注															
A	5	无定位柱															
D	10	有定位柱															
L	15	15															
a	7	9															
<p>EC080301 <input checked="" type="checkbox"/> 0X-VA1</p> 	 <table border="1" data-bbox="782 1467 957 1601"> <tr> <td><input checked="" type="checkbox"/></td> <td>W</td> <td></td> </tr> <tr> <td>A</td> <td>5</td> <td></td> </tr> <tr> <td>C</td> <td>7</td> <td></td> </tr> <tr> <td>L</td> <td>15</td> <td>15</td> </tr> <tr> <td>a</td> <td>7</td> <td>9</td> </tr> </table>	<input checked="" type="checkbox"/>	W		A	5		C	7		L	15	15	a	7	9	 <p>P.C.B MOUNTING HOLES DETAIL</p>
<input checked="" type="checkbox"/>	W																
A	5																
C	7																
L	15	15															
a	7	9															

Resolution and Output signal

SERIES 系列	RESOLUTION 分解能力	DETENT 定位	Rotation direction 旋转方向	SIGNAL 信号	OUTPUT PHASE 输出波形
EC08	10P	20	C. W (顺时针方向)	A (Terminal A-C)	OFF ON
				B (Terminal B-C)	OFF ON
	16P	16	C. W (顺时针方向)	A (Terminal A-C)	OFF ON
				B (Terminal B-C)	OFF ON