



SOUNDWELL®

http://soundwell-cn.com



企业微信，扫码有惊喜



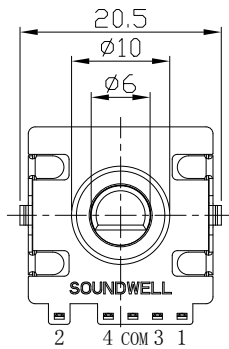
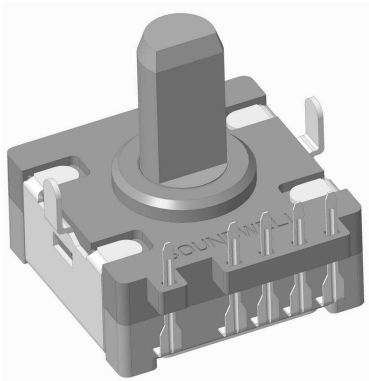
升威官网，发现更多产品

MODEL 品名

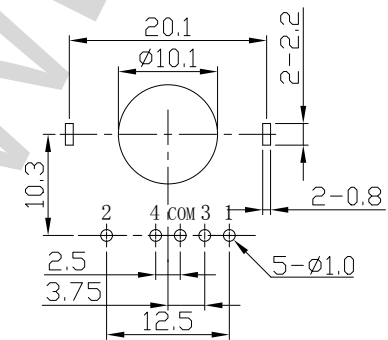
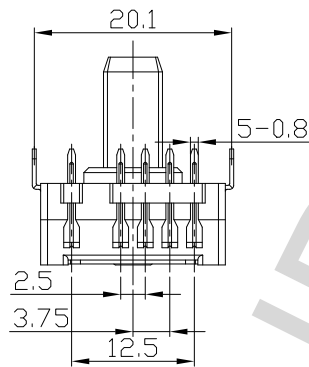
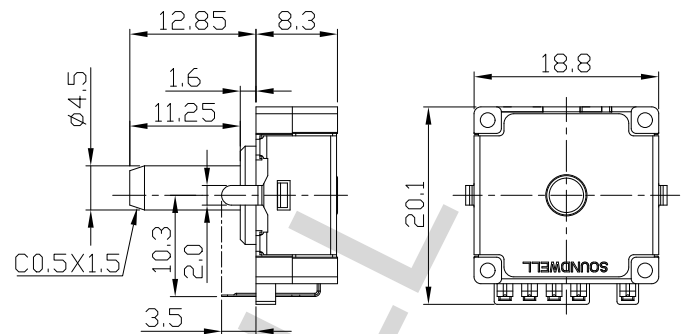
DIMENSIONS 尺寸

UNIT:mm

ES180602J0A-PA1-000



SHAFT SHOWN IN 1 POSITION



PCB Mounting Holes Detail

Resolution and Output signal 分解能力和输出信号

CODE

START POSITON

C. W → 1:ON
0:OFF

TERM \ POS	1	2	3	4	5	6	7	8	9	10	11	12
1	0	1	1	0	0	1	1	0	0	1	1	0
2	0	0	1	1	1	1	0	0	0	0	0	0
3	0	0	0	0	1	1	1	1	1	1	0	0
4	0	0	0	0	0	0	0	0	1	1	1	1
5(COM)	1	1	1	1	1	1	1	1	1	1	1	1